

Arduino 3.2" TFT Touch Mega Shield

Overview



The Arduino 3.2" TFT Touch Mega Shield is designed for all the Arduino Mega compatible boards. It works in 3.3V voltage level. It can be directly plugged on the Arduino Mega and other compatible boards. It will offer display, touch and storage functions for the Arduino Mega board.

Features

- Compatible with 3.3/5V operation voltage level
- Compatible with UTFT library
- With SD Card Socket

Specifications

PCB size	79.3mm X 57.5mm X 1.6mm
Indicators	-
Power supply	compatible with Arduino Mega
Communication Protocol	-
RoHS	Yes

Electrical Characteristics

Specification	Min	Type	Max	Unit
Power Voltage	4.5	5	5.5	VDC
Input Voltage VH:	3	-	5.5	V
Input Voltage VL:	-0.3	0	0.5	V

Hardware

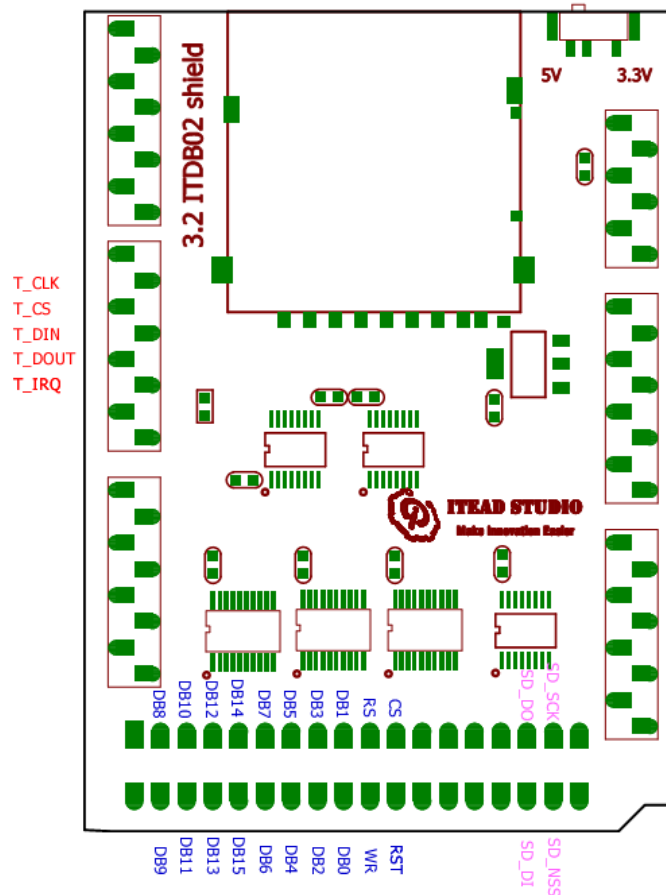


Figure 1 Bottom View

Pin map of Arduino 2.8" TFT Touch Shield:

Arduino Mega PIN	Description
D2	T_IRQ
D3	T_DOUT
D4	T_DIN
D5	T_CS
D6	T_CLK
D22	DB8
D23	DB9
D24	DB10
D25	DB11
D26	DB12
D27	DB13
D28	DB14

D29	DB15
D30	DB7
D31	DB6
D32	DB5
D33	DB4
D34	DB3
D35	DB2
D36	DB1
D37	DB0
D38	RS
D39	WR
D40	CS
D41	RST
D50	SD_MISO
D51	SD_MOSI
D52	SD_SCK
D53	SD_NSS

The Arduino 3.2" Touch shield uses the SSD1289 controller , it support 16bit data interface. The touch IC is XPT2046.

Operation voltage level setting switch

When using the Arduino 3.2 TFT Touch shield with 5V operation level development board – like Arduino MEGA and so on, set the operation voltage level switch to 5V side.

When using the Arduino 3.2 TFT Touch shield with 3.3V operation level development board set the operation voltage level switch to 3.3V side.

Software

This shield is compatible with UTFT library for Arduino Mega, chipKitMax32 and their compatible boards. You can down load the library here:

<http://henningkarlsen.com/electronics/library.php?id=52>

Revision History

Rev.	Description	Release date
v1.0	Initial version	2012-04-18